

500-180_cube_(flash-mount)

2017-10

Nivito

8 7 6 5 4 3 2 1

D

D

C

C

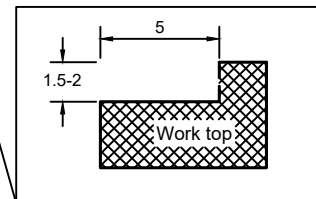
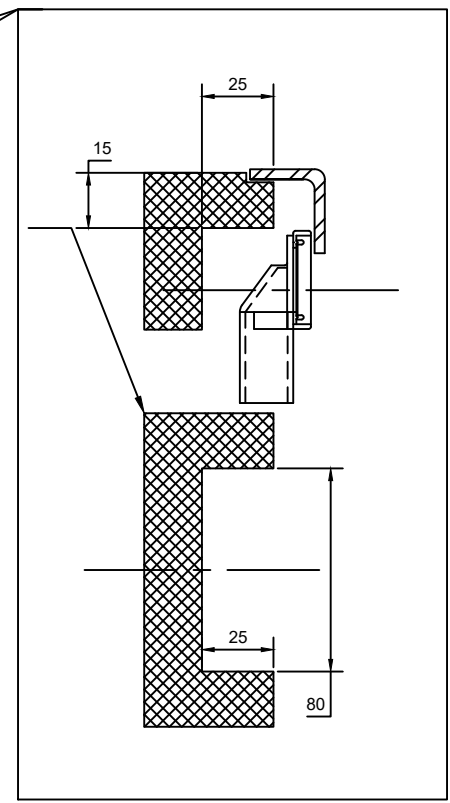
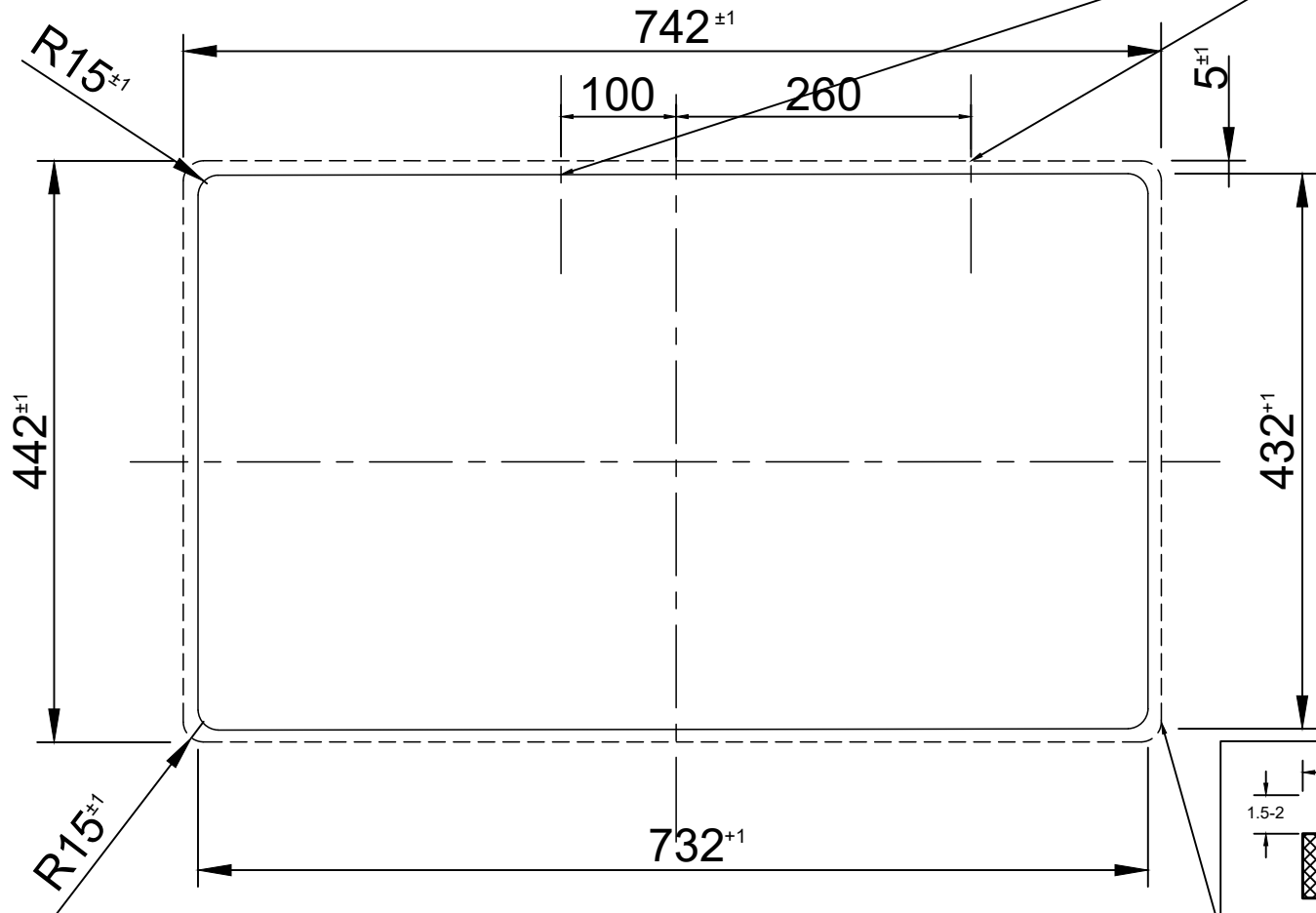
B

B

A

A

ZONE		REV		DESCRIPTION		REVISIONS		DATE		APPROVED	



— Cut-out in Worktop
 - - - Mill this part down-wards

nivito

Cube 500/180 sink

Flash mount template

Stainless steel
 Dimension : mm

SIZE	FROM NO.	DRW NO.	REV

SCALE: SHEET